

SERVICE MANUAL

**B O D Y**

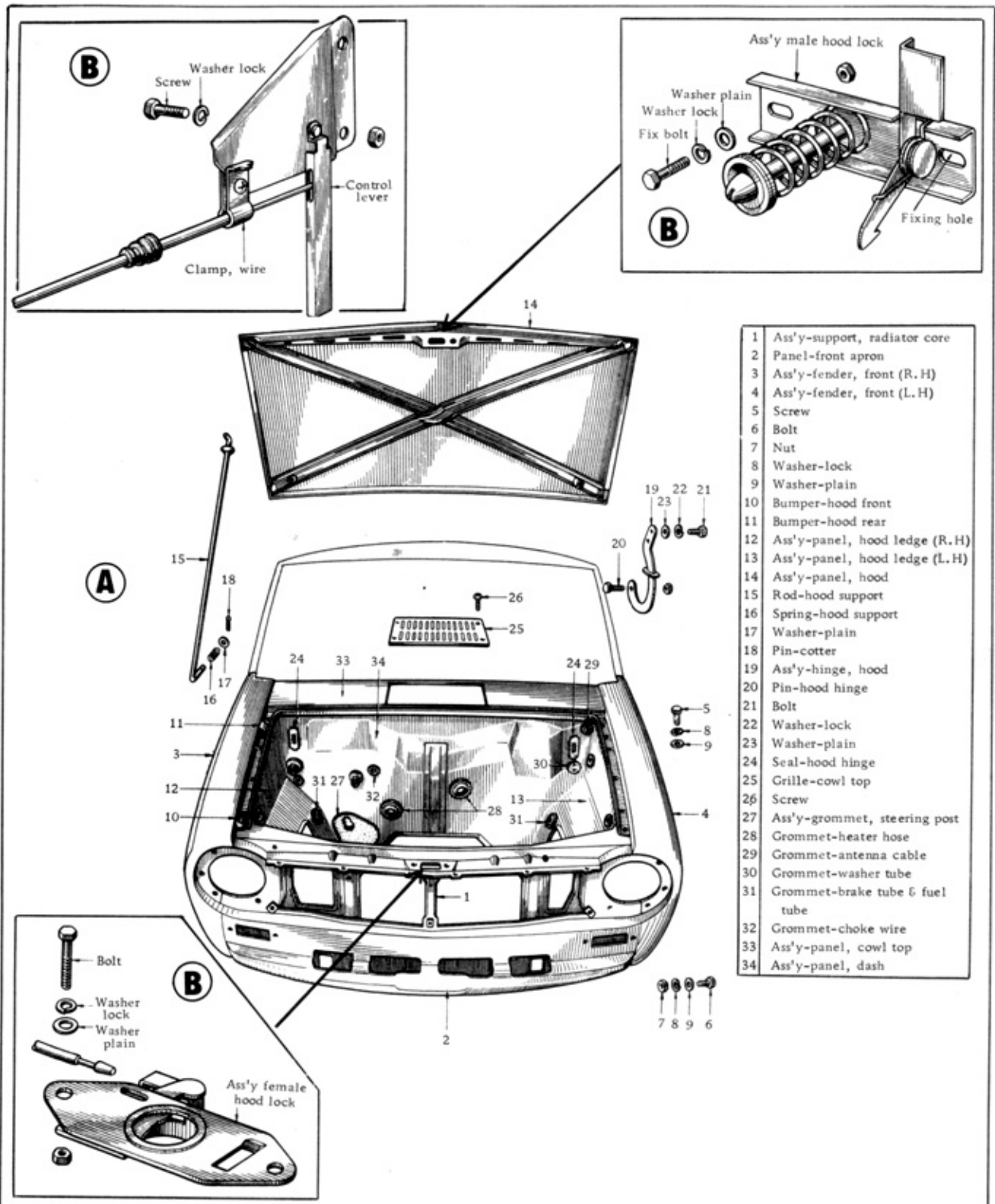
MODEL B10 SERIES



NISSAN MOTOR CO., LTD.

# BODY

## BODY



Ⓐ Front Panel & Ⓑ Hood Lock Control

# DATSUN 1000

---

## HOOD LOCK CONTROL

### Removal

- o Remove the radiator grille.
- o Disconnect the female hood lock assembly from support of radiator grille and separate from the cable.

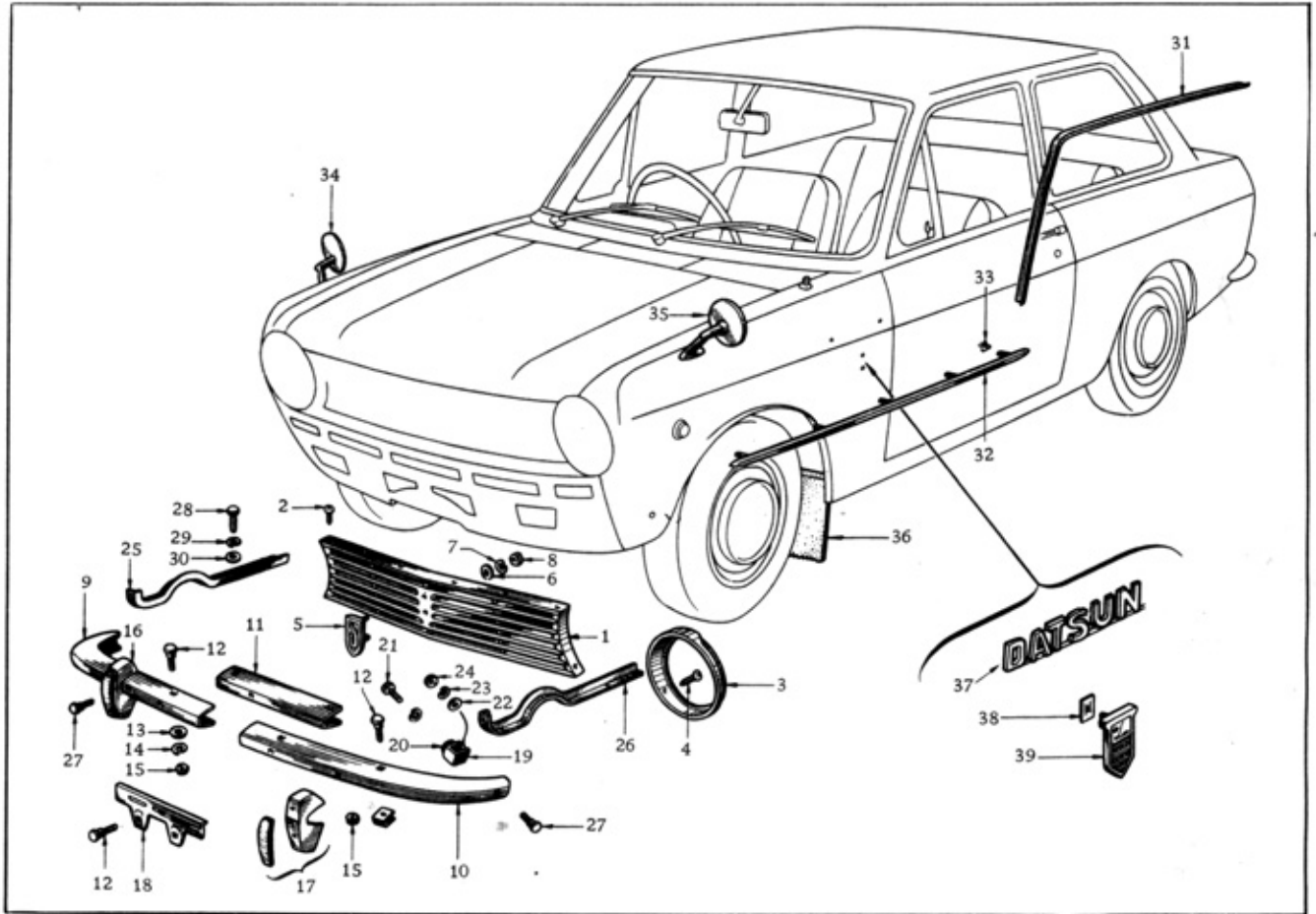
To disconnect the control wire, separate the cable from the release lever at the edge of cable.

Assembling is a reversal of disassembling procedure.

### Adjustment

- o Adjust the position of male lock by sliding fix hole by loosening the fix bolts.
- o Adjust the position of male by turning the bolt to the left way.





*View of Front Side*

1	Grille-radiator	14	Washer-lock	27	Bolt-B
2	Screw-tapping	15	Nut	28	Bolt
3	Rim-head lamp (L. H)	16	Override-front bumper (R. H)	29	Washer-lock
4	Screw-tapping	17	Override-front bumper (L. H)	30	Washer-plain
5	Set-emblem, radiator grille	18	Bracket-licence plate	31	Moulding-roof drip
6	Washer-plain	19	Bracket-front bumper side	32	Moulding-body side sill
7	Washer-lock	20	Washer-rubber	33	Clip-body side sill moulding
8	Nut	21	Bolt	34	Ass'y-back mirror, outside (R. H)
9	Bumper-front (R. H)	22	Washer-plain	35	Ass'y-back mirror, outside (L. H)
10	Bumper-front (L. H)	23	Washer-lock	36	Mud guard-front fender
11	Connector-front bumper	24	Nut	37	Emblem-"DATSUN", front fender
12	Bolt-bumper B	25	Stay-front bumper (R. H)	38	Clip-tubular
13	Washer-plain	26	Stay-front bumper (L. H)	39	Badge-"Deluxe" front fender

**Front Fender**

- o Remove the side moulding and mud guard of front fender.
- o Remove the side flasher lamp and head lamp from hood ledge.
- o Take off the side bracket of front bumper from the fender and bumper.

- o Disconnect the attaching bolts of fender.
- o Opening the front door, take out the attaching bolts from front pillar.
- o Detach the fender from the body.

Assembling is a reversal procedure of disassembly.

# DATSUN 1000

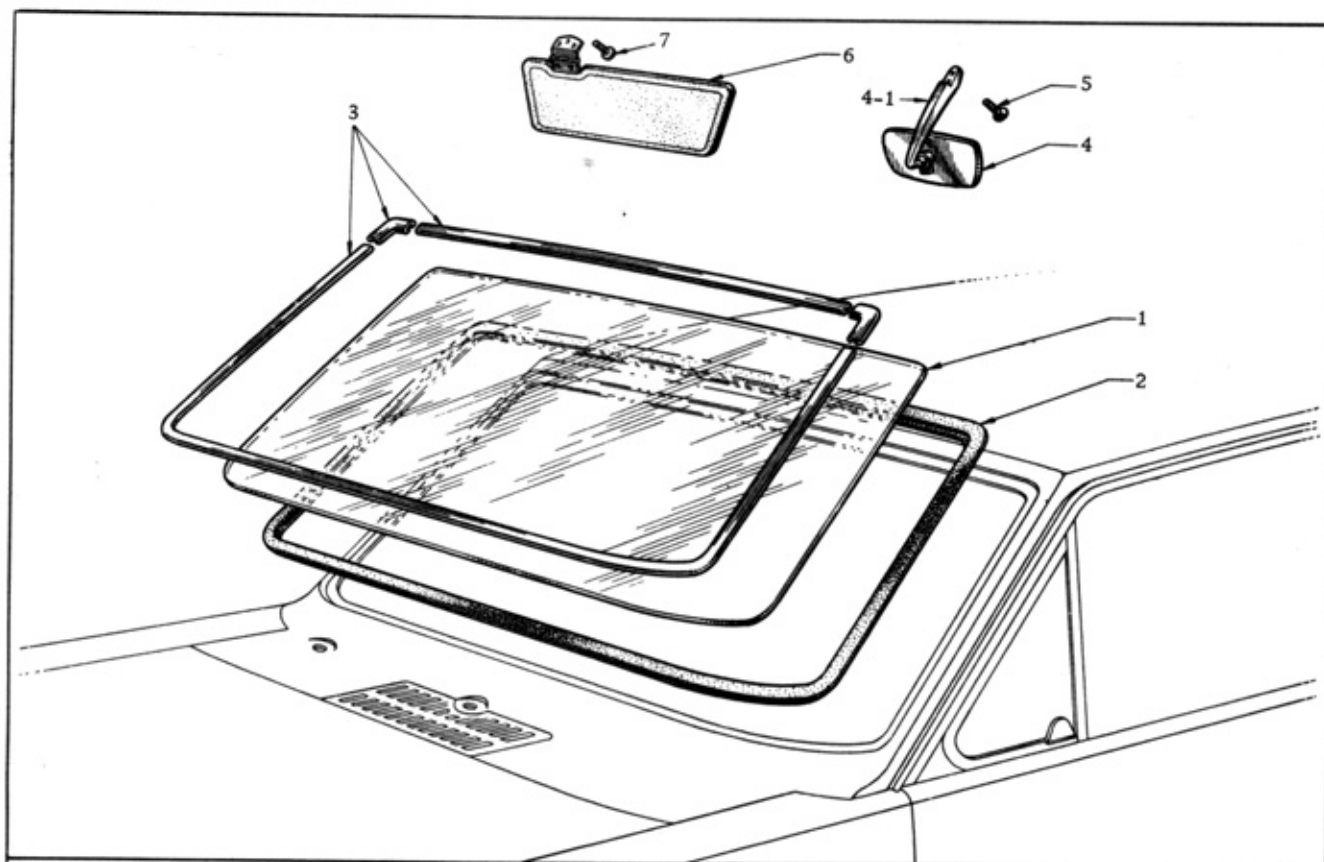
## Disconnect

- o Take off the wiper arm of windshield.
- o Remove the outside moulding around windshield.
- o Separate weatherstrip from body with a spatula at the outside and inside.
- o Disconnect the wind glass with strip from frame.

- o Hold ends of it by inside worker and pulling it so as to over flange of the body.
- o Holding the inside edge of it, pull it from right and left side so as to over the flange of body.
- o In this case, tapping the surface of glass by hand to fix closely between the weatherstrip and the flange of body by giving vibration.
- o Correct the lip of weatherstrip by a spatula after fixing the glass in position.
- o Using a pressure type applicator, seal inner and outer lips of rubber channel to glass with an approved weatherstrip adhesive.
- o Seal are to extend completely around rubber channel.
- o Clean of excess sealer from windshield glass with mineral spirits.

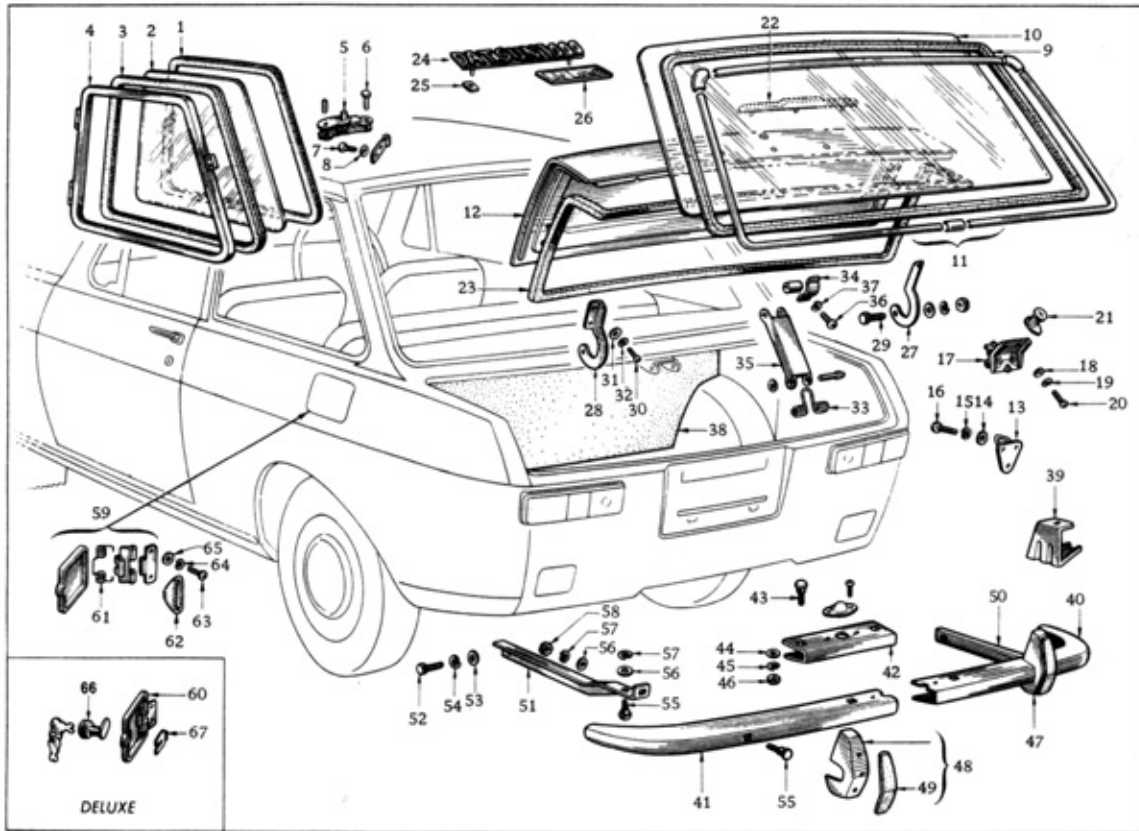
## Assembling the Glass to Strip

- o Set the weatherstrip to the glass.
- o Insert a cotton rope on strong cord in pinch of rubber channel completely around windshield.
- o Tie ends of it to inside surface of glass at bottom center of glass.
- o Fit the glass for correct position on the frame.



*Front Window & Windshield Fitting*

1	Glass-windshield	4	Ass'y-back mirror, inside	6	Ass'y-sun visor
2	Weatherstrip-windshield	4-1	Arm-back mirror inside	7	Screw
3	Set-moulding, windshield	5	Screw		



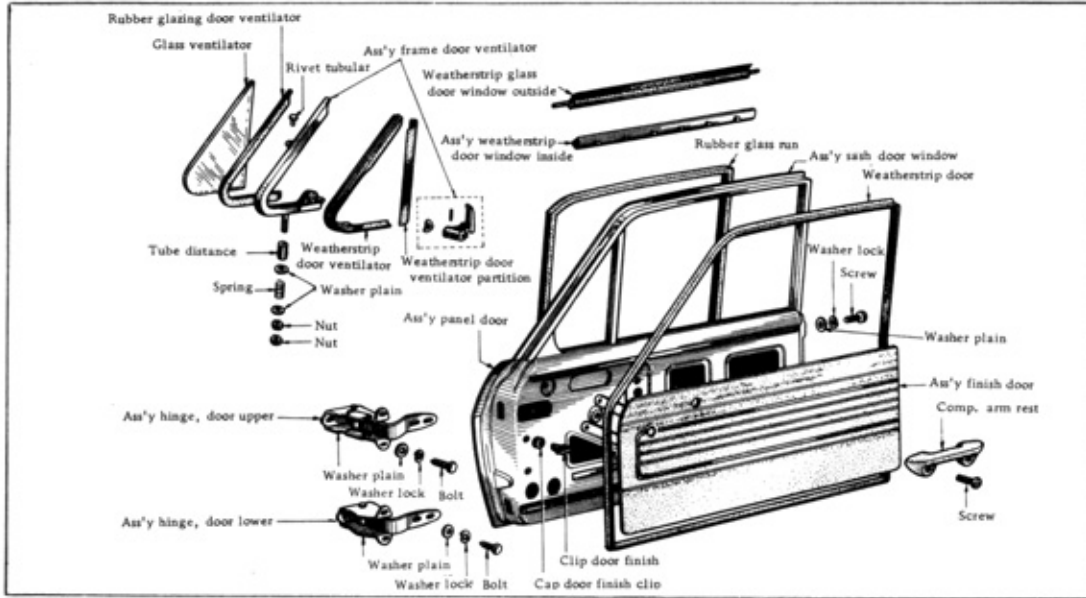
*Sectional View of Rear Side*

1	Weatherstrip-side window	24	Emblem "DATSUN 1000"	46	Nut
2	Glass-side window	25	Clip-tubular	47	Override-rear bumper (R.H)
3	Rubber-side window	26	Mark-"Deluxe"	48	Override-rear bumper (L.H)
4	Ass'y-sash, side window	27	Hinge-trunk lid (R.H)	49	Rubber-override
5	Ass'y-handle, side window	28	Hinge-trunk lid (L.H)	50	Stay-rear bumper (R.H)
6	Pin-handle, side window	29	Pin-hinge	51	Stay-rear bumper (L.H)
7	Screw	30	Screw	52	Bolt
8	Washer	31	Washer-plain	53	Washer-plain
9	Weatherstrip-rear window	32	Washer-lock	54	Washer-lock
10	Glass-rear window	33	Spring-stay, trunk lid	55	Bolt-bumper B
11	Set-moulding, rear window	34	Stopper-stay, trunk lid	56	Washer-plain
12	Ass'y-lid, trunk	35	Ass'y-stay, trunk lid	57	Washer-lock
13	Striker-trunk lid lock	36	Screw	58	Nut
14	Washer-plain	37	Washer-lock	59	Ass'y-lid, fuel filler
15	Washer-lock	38	Board-finish, trunk room	60	Ass'y-lid, fuel filler
16	Screw	39	Holder-jack lever	61	Spring-filler lid
17	Ass'y-lock, trunk lid	40	Ass'y-bumper, rear	62	Bumper-rubber
18	Washer-plain	41	Bumper-rear	63	Screw
19	Washer-lock	42	Connector-rear bumper	64	Washer-lock
20	Screw	43	Bolt-bumper	65	Washer-plain
21	Ass'y-cylinder, trunk lid lock	44	Washer-plain	66	Ass'y-lock, fuel filler lid
22	Ass'y-handle, trunk lid	45	Washer-lock	67	Clip-filler lid lock
23	Weatherstrip-trunk lid				

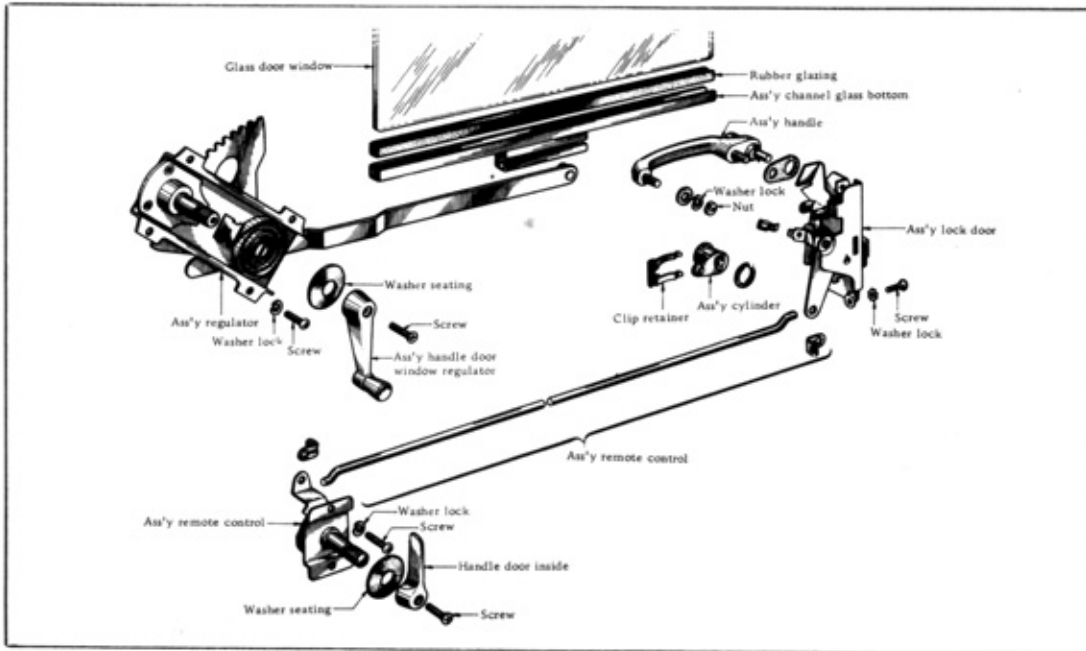
**Removal of Trunk Lid Lock**

o Opening trunk, remove the lock bolt of it.

o Disconnect retaining clip for lock cylinder and remove the lock cylinder from lid panel.



Components of Door Fitting



Construction of Door Lock & Regulator

**Door Finish**

*Removal*

- o Remove the door finisher from inside of door by screwdriver disconnecting clips.

*Window regulator*

- o After removing the door finisher and inside sealing screen, remove screw of the window regulator.

- o Take off the screw at the lower side of door sash center pillar.
- o Drop the regulator to the bottom of door, take out it from the inside panel hole.
- o Disconnect the top of regulator arm from the groove of glass channel.

Assembling is a reversal procedure of disassembling.

